

## DS-1279ZJ

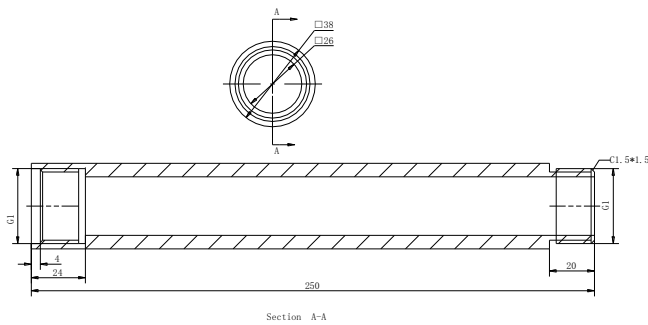
Extendable Pole for Pendant Mount



### Features:

- Aluminum alloy material with surface spray treatment
- Match up with pendant mount(DS-1271ZJ)

### Dimension:



### Order Model:

DS-1279ZJ

### Parameter:

Model	DS-1279ZJ
Parameters	Extendable Pole for Pendant Mount
Appearance	Hikvision White
Material	Composite Fibre
Dimension	Φ 38×250mm
Weight	

**Note: The actual dome camera may vary from the picture above.**